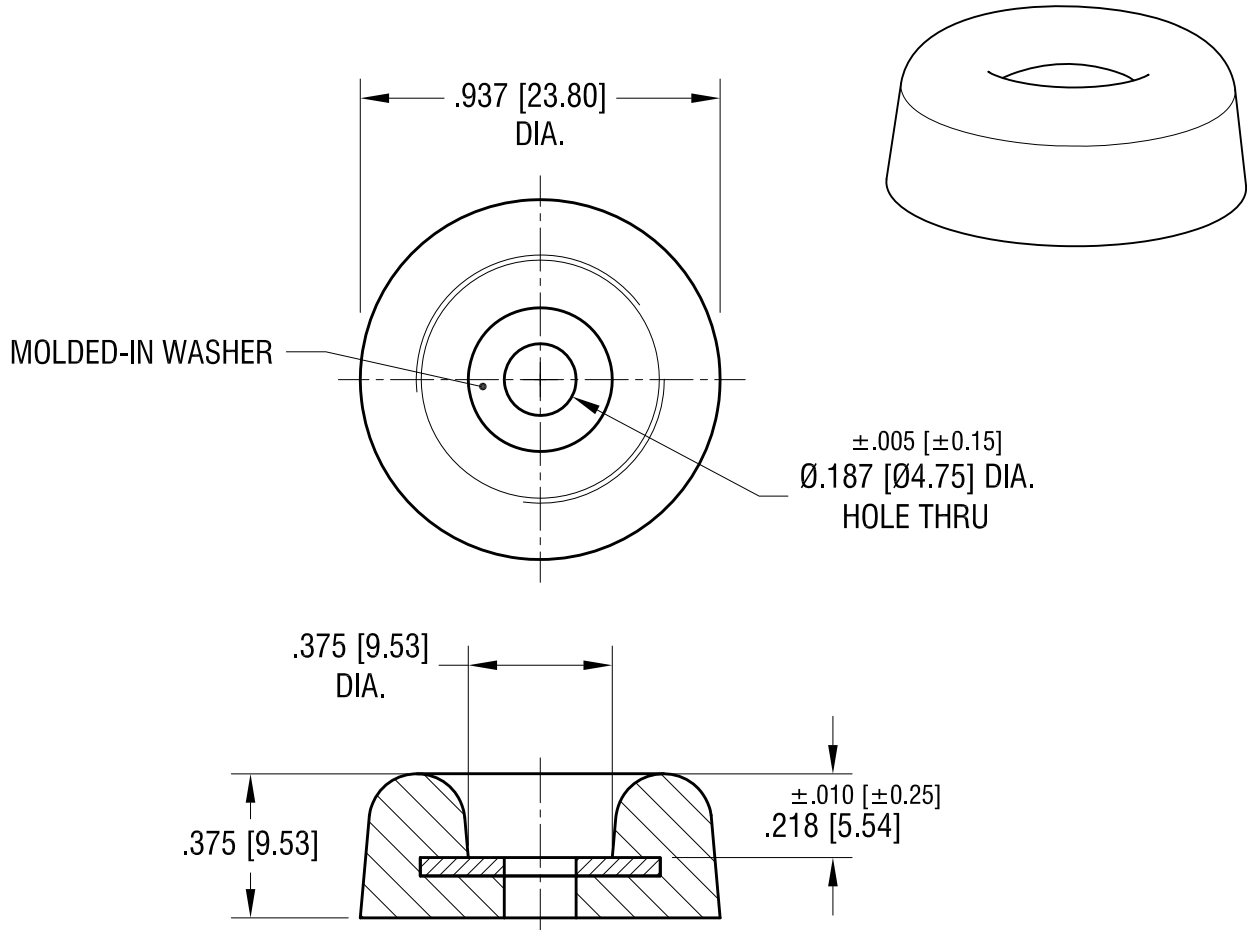


THIS DOCUMENT IS THE PROPERTY OF
KEYSTONE ELECTRONICS CORP. AND
SHALL NOT BE REPRODUCED, DISTRIBUTED
OR USED AS A BASIS FOR MANUFACTURE
WITHOUT PRIOR WRITTEN PERMISSION
FROM KEYSTONE ELECTRONICS CORP.



NOTES:

- 1. BODY: MAT'L - BUNA S RUBBER, BLACK
- WASHER: MAT'L - STEEL, ZINC PLATE

KEYSTONE ELECTRONICS CORP.			
www.keyelco.com • ASTORIA, N.Y. 11105-2017 • Tel (718) 956-8900			
PART NAME		RECESSED BUMPER	
MATERIAL		AS NOTED	
FINISH	AS NOTED	DRN BY	BOONE
		APP'D	LN
		DATE	10.21.98
		SCALE	2X
TOLERANCES	INCH [MM]	CODE	DWG NO.
DECIMAL	± .020 [± 0.50]	C	723
ANGULAR	± 1°		
UNLESS OTHERWISE SPECIFIED			

8.18.11	CHANGE AS PER ECN 11-112	B
3.18.02	CHANGE AS PER ECN 02-025	A
DATE	DESCRIPTION	REV.